

 **BOEING**
COMPONENT
MAINTENANCE MANUAL

TO: ALL HOLDERS OF THE MAIN LANDING GEAR HYDRAULIC INSTALLATIONS COMPONENT
MAINTENANCE MANUAL 32-11-58

REVISION NO. 1 DATED NOV 01/00

HIGHLIGHTS

Pages which have been added or revised are outlined below together with the highlights of the revision. Remove and insert the affected pages as listed and enter Revision No. and date on the Record of Revision Sheet.

CHAPTER/SECTION
AND PAGE NO.

DESCRIPTION OF CHANGE

TITLE PAGE

Updated graphic for clarifications.

1

1010-1015,1017

1002,1004-1007,
1019-1025

Added 272T6100-17 and -18 Hydraulic Installations to replace long hose assemblies AS4624E03205S to AS4624E03105S and AS4626E0224EE to AS4626E0214EE.

32-11-58

HIGHLIGHTS

01.1

Page 1

Nov 01/00

MAIN LANDING GEAR HYDRAULIC INSTALLATION

PART NUMBER 272T6100-11,-12,-17,-18

COMPONENT MAINTENANCE MANUAL
WITH
ILLUSTRATED PARTS LIST

32-11-58

TITLE PAGE

Page 1

Nov 01/00

01.1



REVISION RECORD

- Retain this record in front of manual. On receipt of revision, insert revised pages in the manual, and enter revision number, date inserted and initial.

REVISION NUMBER	REVISION DATE	DATE FILED	BY	REVISION NUMBER	REVISION DATE	DATE FILED	BY

32-11-58

REVISION RECORD

01

Page 1

Mar 01/00



TEMPORARY REVISION AND SERVICE BULLETIN RECORD

BOEING SERVICE BULLETIN	BOEING TEMPORARY REVISION	OTHER DIRECTIVE	DATE OF INCORPORATION INTO MANUAL

32-11-58

TR & SB RECORD

01

Page 1

Mar 01/00


BOEING
 COMPONENT
 MAINTENANCE MANUAL

PAGE	DATE	CODE	PAGE	DATE	CODE
32-11-58			ILLUSTRATED PARTS LIST		CONT.
TITLE PAGE			*1004	NOV 01/00	01.1
*1	NOV 01/00	01.1	*1005	NOV 01/00	01.1
2	BLANK		*1006	NOV 01/00	01.1
REVISION RECORD			*1007	NOV 01/00	01.1
1	MAR 01/00	01	*1008	NOV 01/00	01.1
2	BLANK		*1009	NOV 01/00	01.1
TR & SB RECORD			*1010	NOV 01/00	01.1
1	MAR 01/00	01	*1011	NOV 01/00	01.1
2	BLANK		*1012	NOV 01/00	01.1
LIST OF EFFECTIVE PAGES			*1013	NOV 01/00	01.1
*1	NOV 01/00	01	*1014	NOV 01/00	01.1
THRU LAST PAGE			*1015	NOV 01/00	01.1
CONTENTS			*1016	NOV 01/00	01.1
1	MAR 01/00	01	*1017	NOV 01/00	01.1
2	BLANK		*1018	NOV 01/00	01.1
INTRODUCTION			*1019	NOV 01/00	01.1
1	MAR 01/00	01	*1020	NOV 01/00	01.1
2	BLANK		*1021	NOV 01/00	01.1
DESCRIPTION & OPERATION			*1022	NOV 01/00	01.1
1	MAR 01/00	01	*1023	NOV 01/00	01.1
2	BLANK		*1024	NOV 01/00	01.1
DISASSEMBLY			*1025	NOV 01/00	01.1
301	MAR 01/00	01	*1026	BLANK	
302	BLANK				
ASSEMBLY					
701	MAR 01/00	01			
702	BLANK				
ILLUSTRATED PARTS LIST					
1001	MAR 01/00	01			
*1002	NOV 01/00	01.1			
*1003	NOV 01/00	01.1			

* = REVISED, ADDED OR DELETED

32-11-58
 EFFECTIVE PAGES
 LAST PAGE Page 1
 01 Nov 01/00



TABLE OF CONTENTS

<u>Paragraph Title</u>	<u>Page</u>
Description and Operation	1
Disassembly	301
Check	501
Assembly.	701
Illustrated Parts List.	1001

32-11-58

01
CONTENTS
Page 1
Mar 01/00



INTRODUCTION

The instructions in this manual provide the information necessary to perform maintenance functions ranging from simple checks and replacement to complete shop-type repair.

This manual is divided into separate sections:

- | | |
|--|------------------------------|
| 1. Title Page | 4. List of Effective Pages |
| 2. Record of Revisions | 5. Table of Contents |
| 3. Temporary Revision &
Service Bulletin Record | 6. Introduction |
| | 7. Procedures & IPL Sections |

Refer to the Table of Contents for the page location of applicable sections.

The beginning of the REPAIR section includes a list of the separate repairs, a list of applicable standard Boeing practices, and an explanation of the True Position Dimensioning symbols used.

An explanation of the use of the Illustrated Parts List is provided in the Introduction to that section.

All weights and measurements used in the manual are in English units, unless otherwise stated. When metric equivalents are given they will be in parentheses following the English units.

Design changes, optional parts, configuration differences and Service Bulletin modifications create alternate part numbers. These are identified in the Illustrated Parts List (IPL) by adding an alphabetical character to the basic item number. The resulting item number is called an alpha-variant. Throughout the manual, IPL basic item number references also apply to alpha-variants unless otherwise indicated.

Verification:

32-11-58

INTRODUCTION

01

Page 1

Mar 01/00



MAIN LANDING GEAR HYDRAULIC INSTALLATIONS

DESCRIPTION AND OPERATION

1. Description

- A. The hydraulic installations on main landing gear shock strut assembly mostly consist of corrosive resistant steel tubing and hose assemblies. These tubing and hose assemblies are supported by the brackets that are mounted on the shock strut of the main landing gear.

2. Operation

- A. The main function of the hydraulic tubings is to supply the hydraulic power to the brakes.

32-11-58

DESCRIPTION & OPERATION

01

Page 1

Mar 01/00



DISASSEMBLY

1. General

- A. This procedure has the data necessary to disassemble the hydraulic installations from the main landing gear shock strut assembly.
- B. Disassemble this component sufficiently to isolate the defects, do the necessary repairs, and put the component back to a serviceable condition.
- C. Refer to IPL Fig. 1 for item numbers.

2. Disassembly

A. Procedure

- (1) Use standard industry procedures to disassemble this component.

32-11-58

DISASSEMBLY

01

Page 301

Mar 01/00

ASSEMBLY1. General

- A. This procedure has the data necessary to install hydraulic tubings on the shock strut assembly of main landing gear.
- B. Refer to the Standard Overhaul Practices Manual (SOPM) for details of the SOPM chapters identified in this procedure.
- C. Refer to IPL Fig. 1 for item numbers.

2. Assembly

A. References

- (1) SOPM 20-50-01, Bolt and Nut Installation
- (2) SOPM 20-60-04, Miscellaneous Materials

B. Procedure

- (1) Use standard industry procedures to assemble this component.

NOTE: Only tubing assemblies fabricated for kits, spares, or AOG requires proof pressure testing. Proof pressure 6000 PSIG.

32-11-5801 ASSEMBLY
Page 701
Mar 01/00

ILLUSTRATED PARTS LIST

1. This section lists and illustrates replaceable or repairable component parts. The Illustrated Parts Catalog contains a complete explanation of the Boeing part numbering system.

2. Indentures show parts relationships as follows:

Assembly

Detail Parts for Assembly

Subassembly

Attaching Parts for Subassembly

Detail Parts for Subassembly

Detail Installation Parts (Included only if installation parts may be returned to shop as part of assembly)

3. One use code letter (A, B, C, etc.) is assigned in the EFF CODE column for each variation of top assembly. All listed parts are used on all top assemblies except when limitations are shown by use code letter opposite individual part entries.

4. Letter suffixes (alpha-variants) are added to item numbers for optional parts, Service Bulletin modification parts, configuration differences (Except left- and right-hand parts), product improvement parts, and parts added between two sequential item numbers. The alpha-variant is not shown on illustrations when appearance and location of all variants of the part is the same.

5. Service Bulletin modifications are shown by the notations PRE SB XXXX and POST SB XXXX.

A. When a new top assembly part number is assigned by Service Bulletin, the notations appear at the top assembly level only. The configuration differences at detail part level are then shown by use code letter.

B. When the top assembly part number is not changed by the Service Bulletin, the notations appear at the detail part level.

6. Parts Interchangeability

Optional
(OPT)

The parts are optional to and interchangeable with other parts having the same item number.

Supersedes, Superseded By
(SUPSDS, SUPSD BY)

The part supersedes and is not interchangeable with the original part.

Replaces, Replaced By
(REPLS, REPLD BY)

The part replaces and is interchangeable with, or is an alternate to, the original part.

32-11-58

ILLUSTRATED PARTS LIST

01 Page 1001

Mar 01/00

VENDORS

00624 AEROQUIP CORP AEROSPACE DIV JACKSON PLANT
300 SOUTH EAST AVENUE
JACKSON, MICHIGAN 49203-1972
FORMERLY AEROQUIP CORP ELBEE PLANT V99879 OR WESTERN
PLANT V70128

01673 AIRDROME PARTS CO
3251 AIRPORT WAY PO BOX 1867
LONG BEACH, CALIFORNIA 90801

08199 SIERRACIN-HARRISON
3020 EMPIRE AVENUE
BURBANK, CALIFORNIA 91504-3109
FORMERLY TECHNICAL IND INC OR HARRISON MFG CO DIV AXIAL CORP

11328 AEROQUIP CORP LINAIR DIV
651 WEST KNOX STREET
GARDENA, CALIFORNIA 90248-4409
FORMERLY LINAIR ENG A TELEDYNE CO. AND TELEDYNE LINAIR
ENG TELEDYNE IND, FORMERLY V70195 AND V17687

14798 DEUTSCH CO METAL COMPONENTS DIV
14800 SOUTH FIGUEROA STREET
GARDENA, CALIFORNIA 90248-1719
FORMERLY WEATHERHEAD V79470 FOR AEROSPACE PRODUCTS

15653 KAYNAR TECHNOLOGY KAYNAR DIV
800 SOUTH STATE COLLEGE BLVD PO BOX 3001
FULLERTON, CALIFORNIA 92831-3001
FORMERLY MICRODOT AEROSP LTD VK6405

30974 AEROFIT PRODUCTS INC
8531 WHITAKER STREET
BUENA PARK, CALIFORNIA 90621-3129

50599 CRANE RESISTOFLEX COMPANY
2575 WEST 5TH STREET
JACKSONVILLE, FLORIDA 22205
FORMERLY RESISTOFLEX DIV OF UNIDYNAMICS

52828 REPUBLIC FASTENER MFG CORP
1300 RANCHO CONEJO BLVD
NEWBURY PARK, CALIFORNIA 91320-1405
FORMERLY IN SYLMAR, CALIFORNIA

62554 SIMMONDS MECAERO FASTENERS INC
1734 SEQUOIA AVENUE
ORANGE, CALIFORNIA 92668

32-11-58

ILLUSTRATED PARTS LIST
01.1 Page 1002
Nov 01/00


BOEING
 COMPONENT
 MAINTENANCE MANUAL
VENDORS

72962 HARVARD INDUSTRIES INC
 3 WERNER WAY SUITE 210
 LEBANON, NEW JERSEY 08833
 FORMERLY AMERACE CORP ESNA DIV
 FORMERLY ELASTIC STOP NUT IN UNION, NJ

78570 TITFLEX CORP SUB OF BUNDY CORP
 603 HENDEE STREET PO BOX 90054
 SPRINGFIELD, MASSACHUSETTS 01139

80539 SPS TECHNOLOGIES INC AEROSPACE PRODUCTS DIV
 2701 SOUTH HARBOR BOULEVARD PO BOX 1259
 SANTA ANA, CALIFORNIA 92702-1259
 FORMERLY NUTT-SHEL DIV OF SPC WESTERN CO V80539
 AND STANDARD PRESSED STEEL WESTERN DIV V17279

84971 TA MFG CO SUB OF ESTERLINE
 28065 W FRANKLIN PKY
 VALENCIA, CALIFORNIA 91355
 FORMERLY IN LA, CALIF; SUB OF CRITON CORP, GLENDALE, CALIF

98441 STRATOFLEX AEROSPACE MILITARY CONNECTOR DIV
 220 ROBERTS CUT-OFF
 FT. WORTH, TEXAS 76114
 FORMERLY STRATOFLEX INC; PARKER-HANNIFIN FLUID CONN GROUP;
 FORMERLY PARKER-HANNIFIN FLUID PWR DIV V82271

99240 CRISSAIR, INCORPORATED
 38905 10TH STREET EAST
 PALMDALE, CALIFORNIA 93550-3415
 FORMERLY IN EL SEGUNDO, CALIFORNIA

32-11-58
 ILLUSTRATED PARTS LIST
 01.1 Page 1003
 Nov 01/00

PART NUMBER	AIRLINE PART NO.	FIG.	ITEM	TTL REQ
AFP175V06		1	275	18
		1	480	6
AFP175V10		1	295	2
		1	455	2
AN924-10D		1	85	1
		1	300	3
AN924-12D		1	100	1
AN924-4D		1	10	1
AN924-6D		1	25	8
		1	320	13
AN924-8D		1	340	2
AP1042JN0606		1	80	1
AP1042JN1010		1	485	1
AP2097-06H		1	275	18
		1	480	6
AP2097-10H		1	295	2
		1	455	2
AP2097H06		1	275	18
		1	480	6
AP2097H10		1	295	2
		1	455	2
AS115-06K0214		1	515	2
AS115-06K0280		1	490	1
AS115-06K0430		1	530	2
AS115-06K0580		1	400	3
AS115-10K0274		1	495	1
AS115-10K0580		1	395	1
AS154A06EN0570B		1	405	2
AS4326E0114EE		1	130A	1
AS4624E0310SS		1	175A	1
AS4624E0320SS		1	175	1
AS4624G0254SS		1	120	5
AS4624K0460SS		1	115	2
AS4626E0114EE		1	125A	1
AS4626E0150SE		1	145A	1
		1	150A	1
AS4626E0200SS		1	165	1
AS4626E0214EE		1	170A	2
AS4626E0224EE		1	170	1
BACC10HB06C		1	430	3
BACC10HB10C		1	425	1
BACE21BM0606J		1	330	3
BACE21BM0806J		1	350	2
BACE21BM1010J		1	310	1
BACE21BN0406J		1	20	1
BACE21BN0606J		1	40	2
BACE21BT0606JN		1	80	1

32-11-58

 ILLUSTRATED PARTS LIST
 01.1 Page 1004
 Nov 01/00


BOEING
 COMPONENT
 MAINTENANCE MANUAL

PART NUMBER	AIRLINE PART NO.	FIG.	ITEM	TTL REQ
BACE21BT1010JN		1	485	1
BACH8A06EN0570B		1	405	2
BACN10JC3CD		1	70	2
BACN10JN3CD		1	420	8
BACN10YA10		1	290	2
		1	450	2
BACN10YA6		1	270	18
		1	475	6
BACN10YR3CD		1	375	2
BACR15BA3AD		1	415	16
BACS12GU3K30		1	360	2
BACS12GU3K6		1	55	1
BACS12GU3K8		1	57	1
BACS13BX06H		1	275	18
		1	480	6
BACS13BX10H		1	295	2
		1	455	2
BACT16BM060606J		1	45	1
BACT16BM100610J		1	95	1
BACT16BN121006J		1	110	1
BACT16BR060606J		1	75	1
BACW10P253S		1	35	5
		1	327	3
BCREF116854		1	75	1
BRFM20C3D		1	420	8
B472-6EN0570B		1	405	2
DBOS13BX06H		1	275	18
		1	480	6
DBOS13BX10H		1	295	2
		1	455	2
H52732-3CD		1	375	2
MF51637-3		1	420	8
MF53050-3CD		1	420	8
MS21924J10		1	435	1
MS21924J6		1	440	3
M85052-2-4		1	60A	1
M85052-2-8		1	65	2
NAS1149D0316J		1	67	2
		1	365	2
NAS1149D0716J		1	15	2
NAS1149D0932J		1	30	6
		1	325	23
NAS1149D1232J		1	345	4
NAS1149D1432J		1	90	2
		1	305	5

32-11-58

 ILLUSTRATED PARTS LIST
 01.1 Page 1005
 Nov 01/00

PART NUMBER	AIRLINE PART NO.	FIG.	ITEM	TTL REQ
NAS1149D1790J		1	105	2
NAS1922-02003		1	505	1
NAS43DD3-86FC		1	370	2
NS202487-02		1	420	8
PLH53CD		1	375	2
R291206EN0570B		1	405	2
S270T204-1		1	50	5
		1	335	3
S270T204-2		1	315	1
TA0910004H106		1	430	3
TA0910004H110		1	425	1
102F9201M3		1	420	8
2-02903-06H		1	275	18
		1	480	6
2-02903-10H		1	295	2
		1	455	2
2E2172		1	50	5
		1	335	3
2E2174		1	315	1
270T0004-299		1	510	2
270T0005-281		1	500	1
270T0014-402		1	385	2
270T0015-402		1	355	1
270T0016-205		1	380	2
272T6100-11		1	1A	RF
272T6100-12		1	5	RF
272T6100-17		1	1B	RF
272T6100-18		1	5A	RF
272T6100-187		1	180	1
272T6100-188		1	250	1
272T6100-189		1	190	1
272T6100-190		1	465	1
272T6100-192		1	240	1
272T6100-193		1	260	1
272T6100-194		1	280	1
272T6100-195		1	445	1
272T6100-196		1	230	1
272T6100-197		1	460	1
272T6100-198		1	220	1
272T6100-199		1	520	2
272T6100-200		1	210	1
272T6100-201		1	200	1
272T6100-202		1	470	1
272T6100-204		1	185	1
272T6100-205		1	255	1
272T6100-206		1	195	1

32-11-58

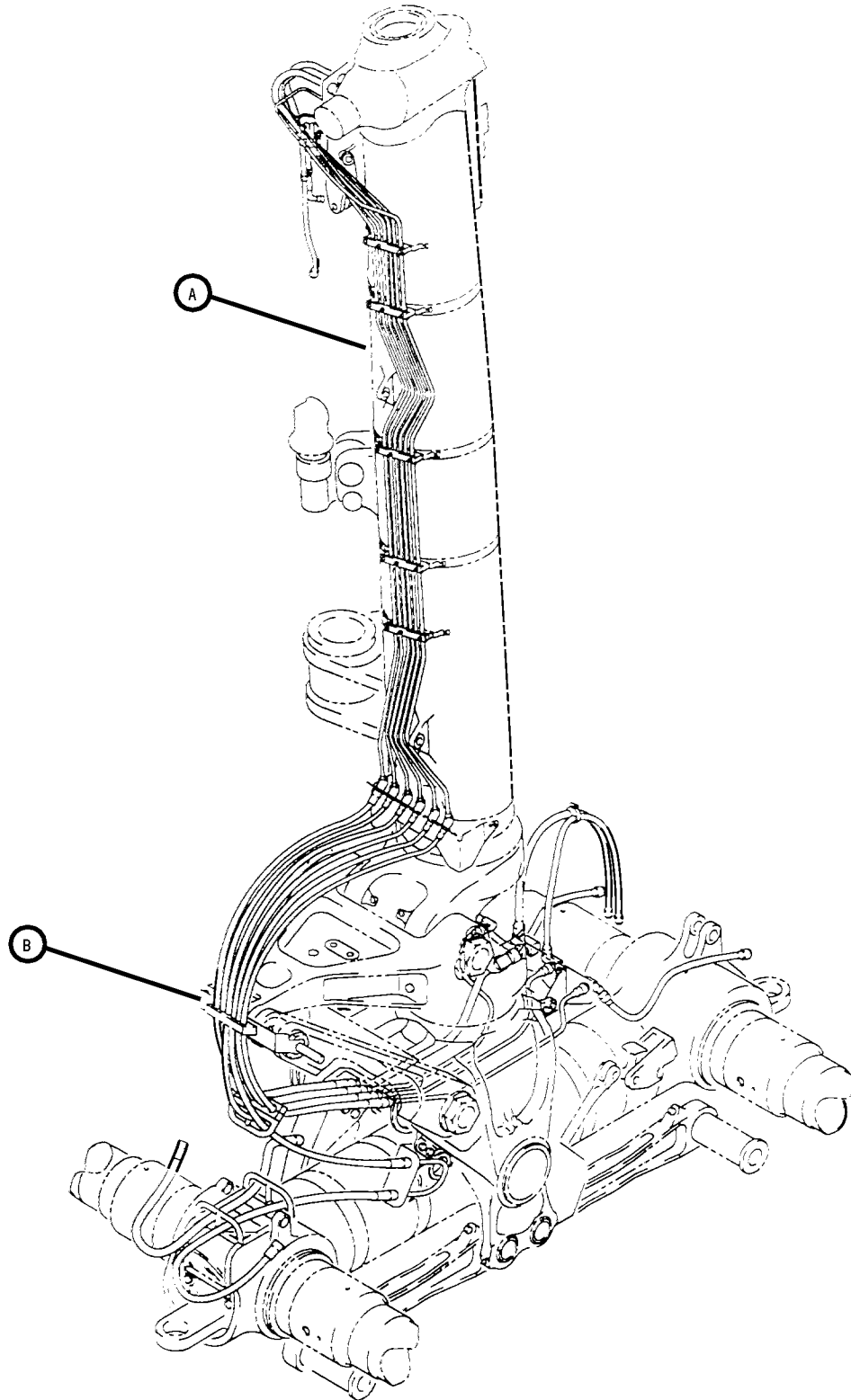
 ILLUSTRATED PARTS LIST
 01.1 Page 1006
 Nov 01/00


BOEING
 COMPONENT
 MAINTENANCE MANUAL

PART NUMBER	AIRLINE PART NO.	FIG.	ITEM	TTL REQ
272T6100-208		1	245	1
272T6100-209		1	265	1
272T6100-210		1	285	1
272T6100-211		1	235	1
272T6100-212		1	225	1
272T6100-213		1	215	1
272T6100-214		1	205	1
272T6100-215		1	545	1
272T6119-17		1	390	1
272T6146-1		1	410	1
312A1104-5		1	525	4
35235V06		1	275	18
		1	480	6
35235V10		1	295	2
		1	455	2
97934A06EN0570B		1	405	2

32-11-58

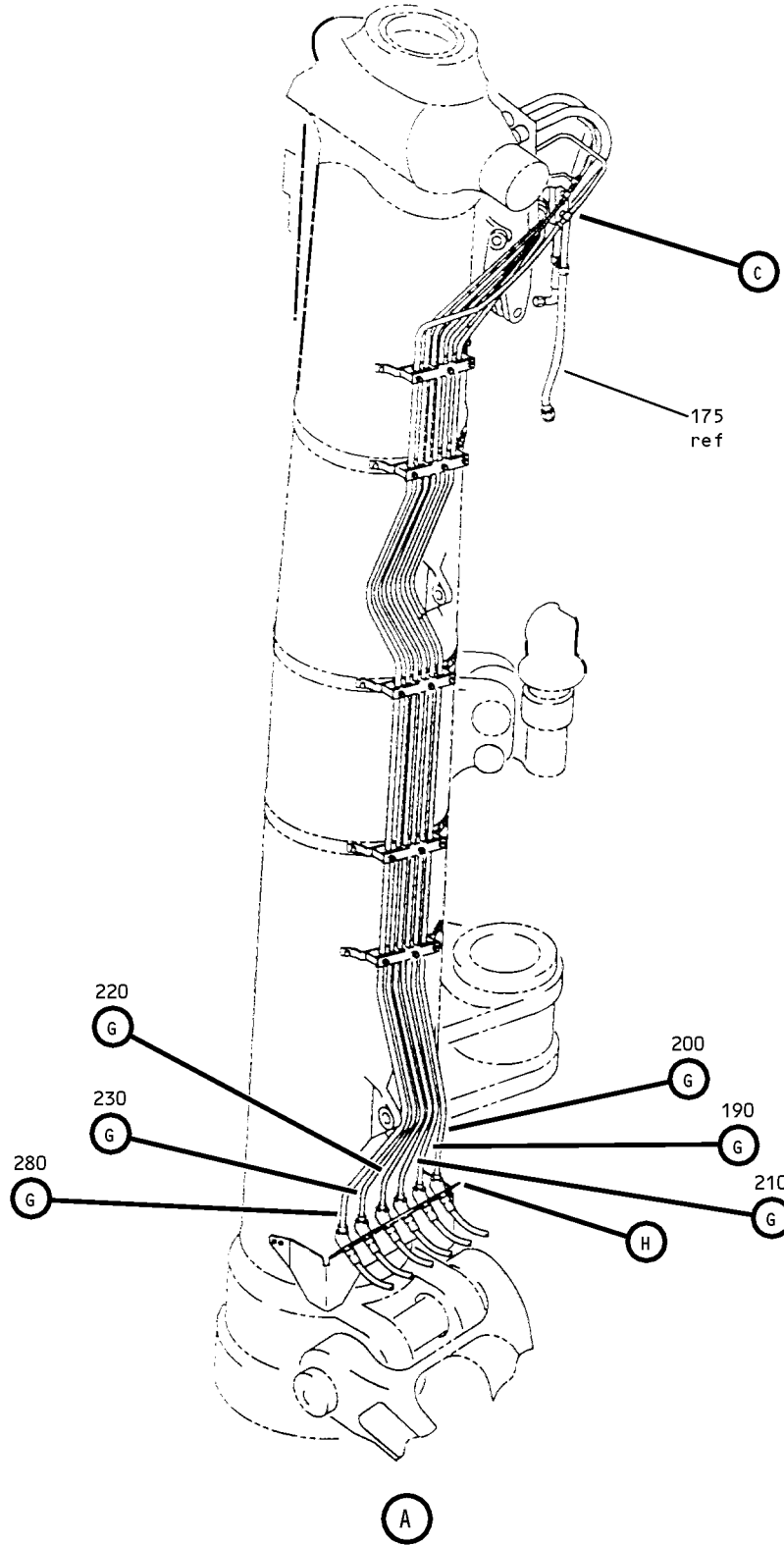
ILLUSTRATED PARTS LIST
 01.1 Page 1007
 Nov 01/00



Main Landing Gear Hydraulic Installation
Figure 1 (Sheet 1)

32-11-58

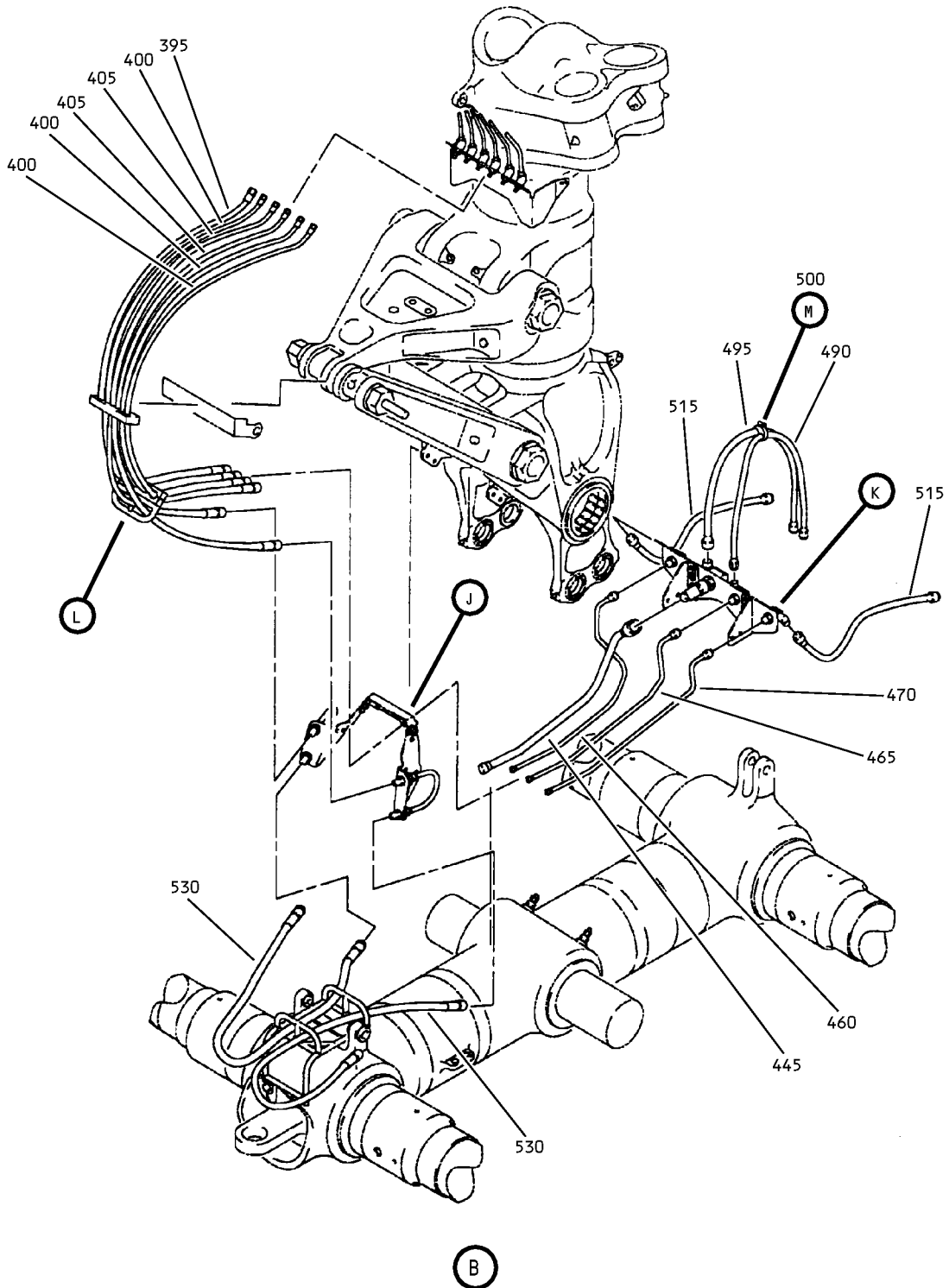
ILLUSTRATED PARTS LIST
01.1 Page 1008
Nov 01/00



Main Landing Gear Hydraulic Installation
Figure 1 (Sheet 2)

32-11-58

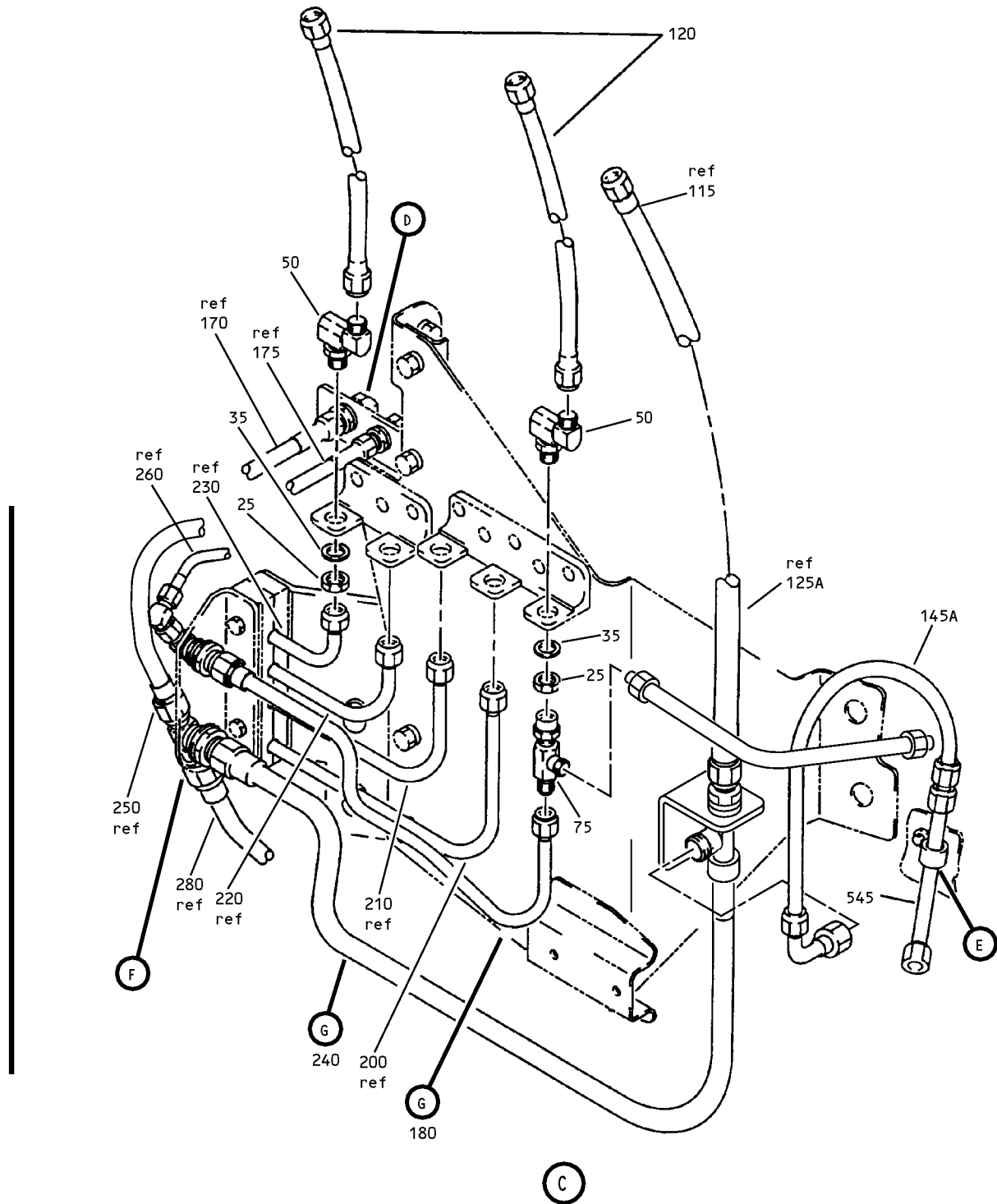
ILLUSTRATED PARTS LIST
01.1 Page 1009
Nov 01/00



Main Landing Gear Hydraulic Installation
 Figure 1 (Sheet 3)

32-11-58

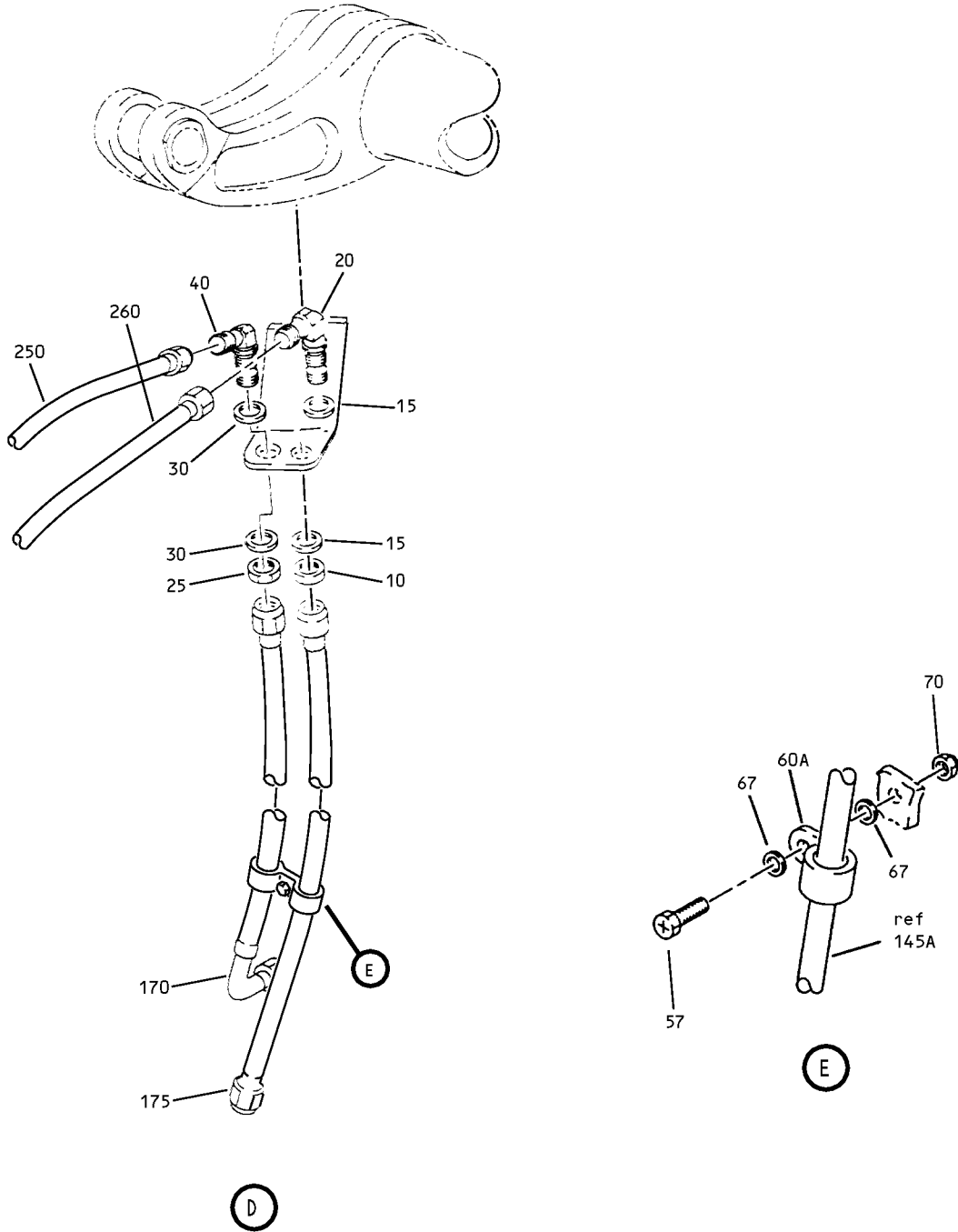
ILLUSTRATED PARTS LIST
 01.1 Page 1010
 Nov 01/00



Main Landing Gear Hydraulic Installation
Figure 1 (Sheet 4)

32-11-58

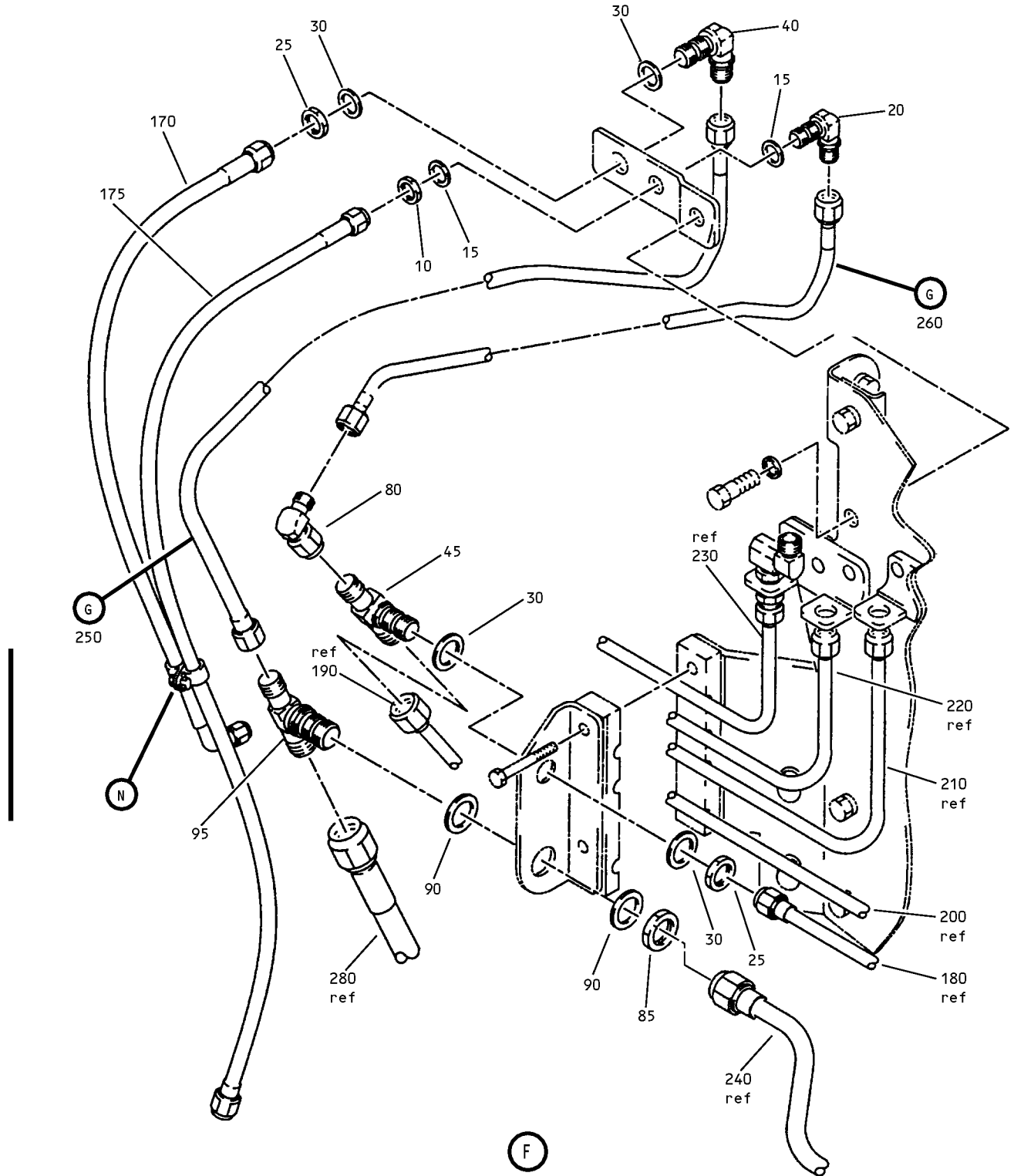
ILLUSTRATED PARTS LIST
01.1 Page 1011
Nov 01/00



Main Landing Gear Hydraulic Installation
 Figure 1 (Sheet 5)

32-11-58

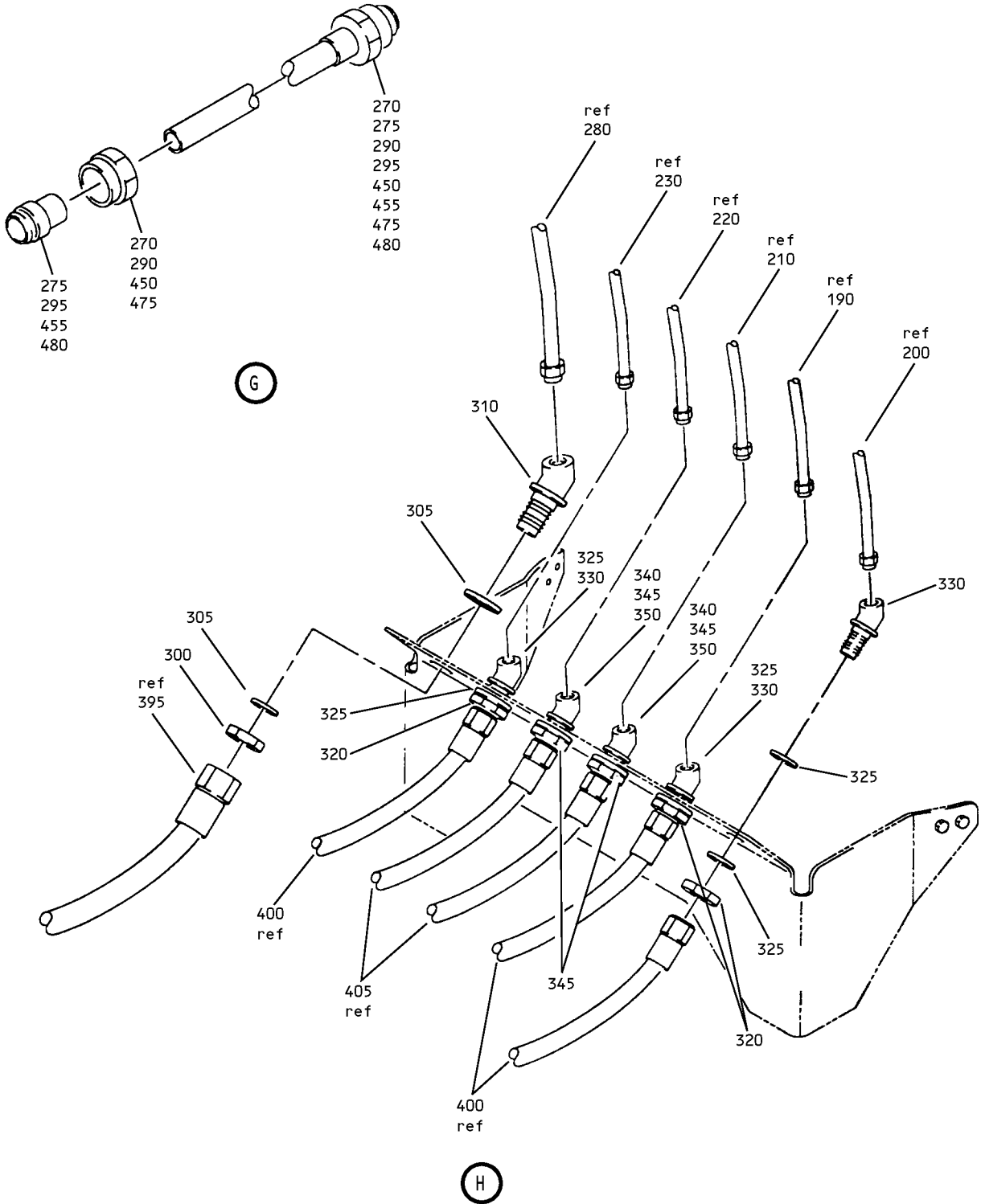
ILLUSTRATED PARTS LIST
 01.1 Page 1012
 Nov 01/00



Main Landing Gear Hydraulic Installation
Figure 1 (Sheet 6)

32-11-58

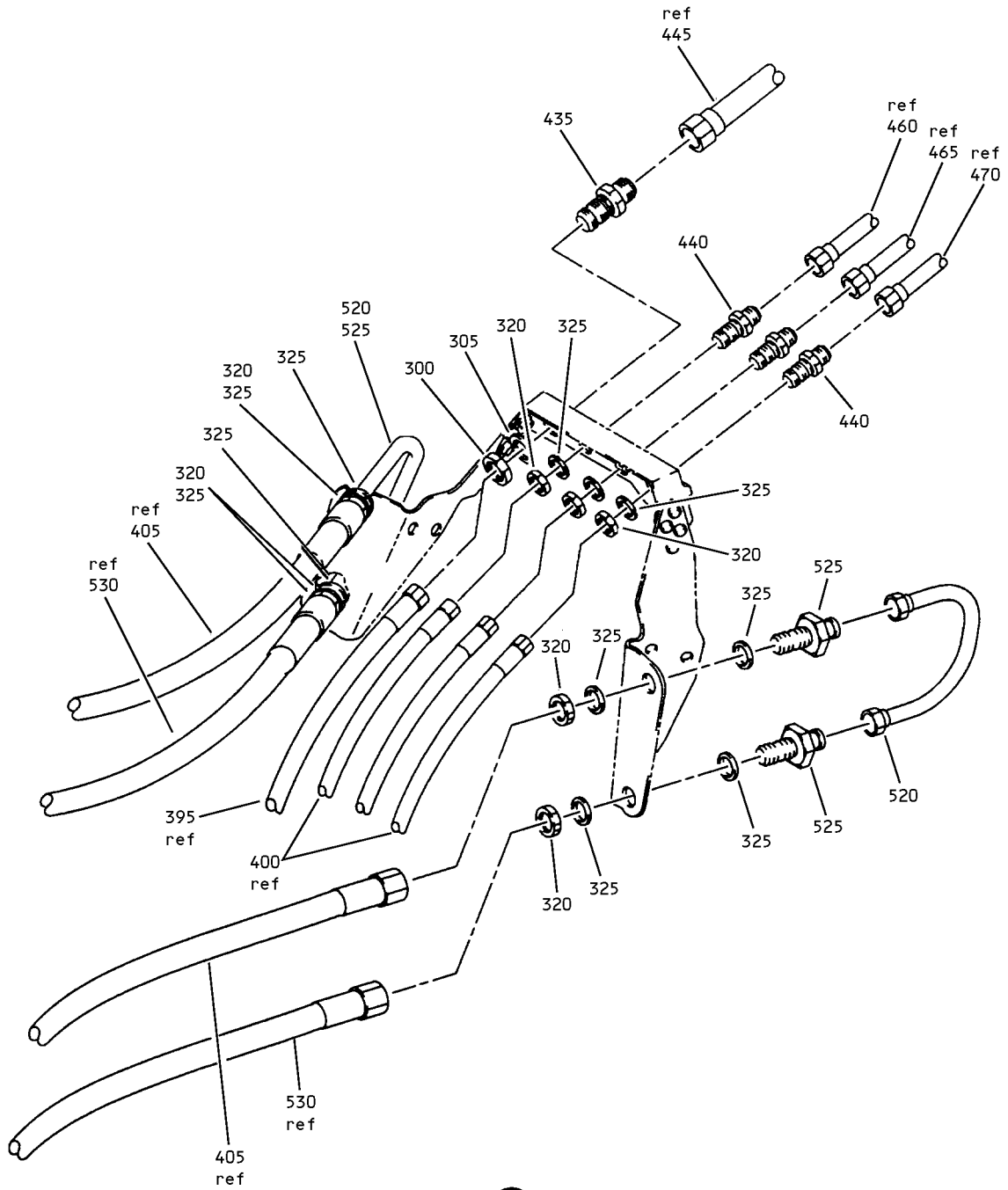
ILLUSTRATED PARTS LIST
01.1 Page 1013
Nov 01/00



Main Landing Gear Hydraulic Installation
 Figure 1 (Sheet 7)

32-11-58

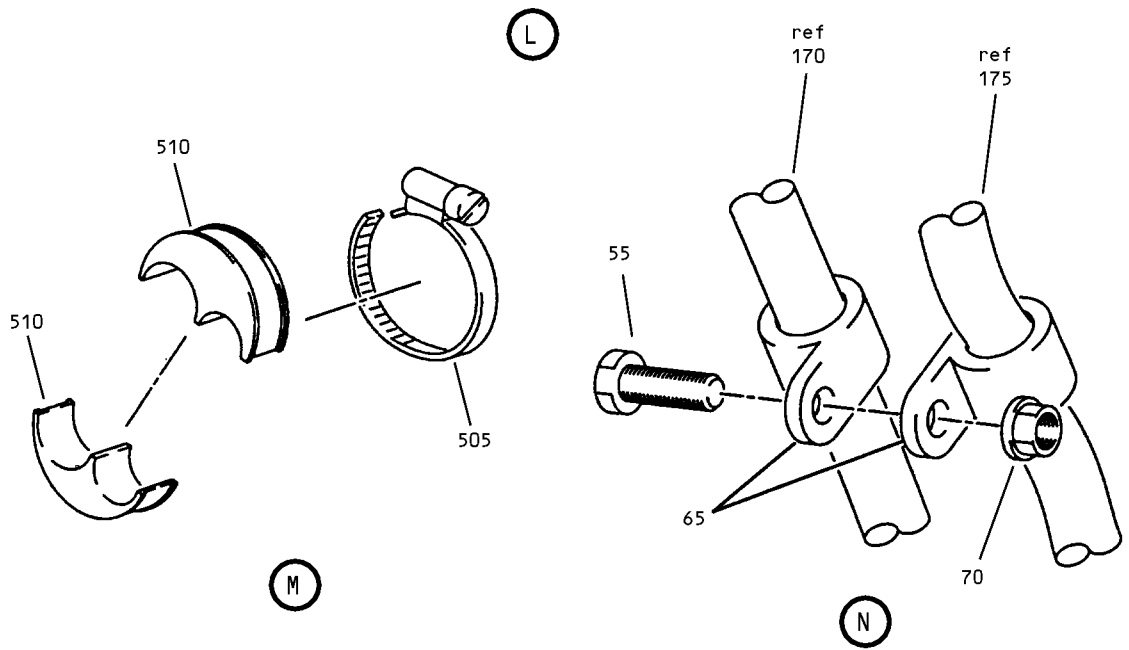
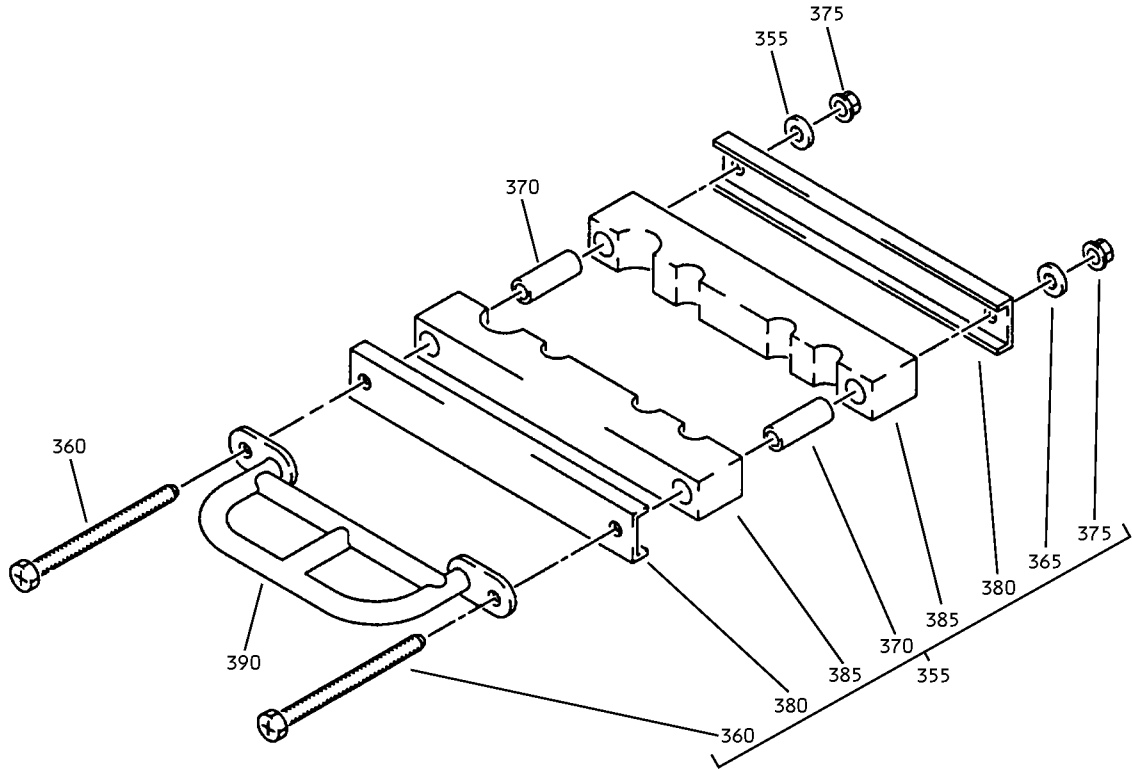
ILLUSTRATED PARTS LIST
 01.1 Page 1014
 Nov 01/00



Main Landing Gear Hydraulic Installation
Figure 1 (Sheet 8)

32-11-58

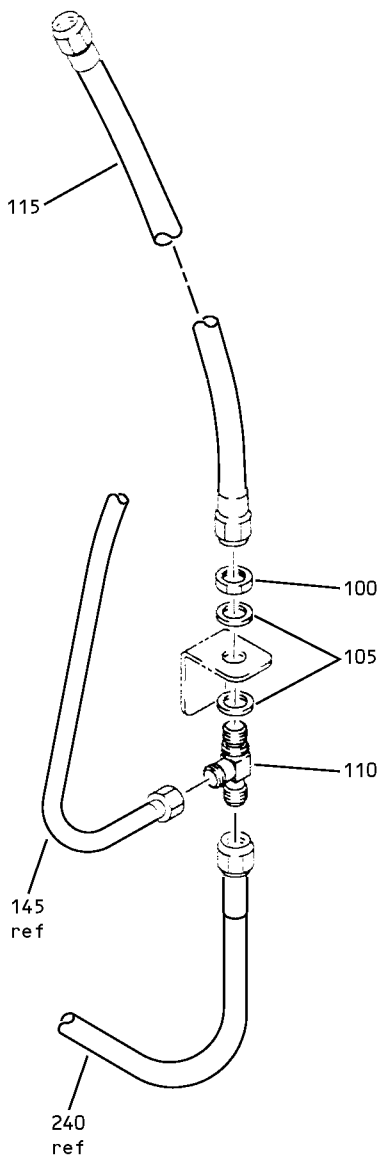
ILLUSTRATED PARTS LIST
01.1 Page 1015
Nov 01/00



Main Landing Gear Hydraulic Installation
 Figure 1 (Sheet 10)

32-11-58

ILLUSTRATED PARTS LIST
 01.1 Page 1017
 Nov 01/00



Main Landing Gear Hydraulic Installation (Typical)
Figure 1 (Sheet 11)

32-11-58

ILLUSTRATED PARTS LIST
01.1 Page 1018
Nov 01/00


BOEING
 COMPONENT
 MAINTENANCE MANUAL

FIG. & ITEM	PART NO.	AIRLINE PART NUMBER	NOMENCLATURE 1234567	EFF CODE	QTY PER ASSY
01- -1A	272T6100-11		HYDRAULIC INSTL-MLG L SIDE SECTION 61 PREMODULE	A	RF
-1B	272T6100-17		HYDRAULIC INSTL-MLG L SIDE SECTION 61 PREMODULE	C	RF
-5	272T6100-12		HYDRAULIC INSTL-MLG R SIDE SECTION 61 PREMODULE	B	RF
-5A	272T6100-18		HYDRAULIC INSTL-MLG R SIDE SECTION 61 PREMODULE	D	RF
10	AN924-4D		.NUT		1
15	NAS1149D0716J		.WASHER		2
20	BACE21BN0406J		.ELBOW		1
25	AN924-6D		.NUT		8
30	NAS1149D0932J		.WASHER		6
35	BACW10P253S		.WASHER		5
40	BACE21BN0606J		.ELBOW		2
45	BACT16BM060606J		.TEE		1
50	2E2172		.SWIVEL ASSY- (V99240) (SPEC S270T204-1)		5
55	BACS12GU3K6		.SCREW		1
57	BACS12GU3K8		.SCREW		1
60	M85052-2-6		DELETED		
60A	M85052-2-4		.CLAMP		1
65	M85052-2-8		.CLAMP		2
67	NAS1149D0316J		.WASHER		2
70	BACN10JC3CD		.NUT		2
75	BCREF116854		.TEE- (BACT16BR060606JN)		1
80	AP1042JN0606		.ELBOW- (V01673) (SPEC BACE21BT0606JN)		1

32-11-58

 ILLUSTRATED PARTS LIST
 01.1 Page 1019
 Nov 01/00

FIG. & ITEM	PART NO.	AIRLINE PART NUMBER	NOMENCLATURE 1234567	EFF CODE	QTY PER ASSY
01-					
85	AN924-10D		.NUT		1
90	NAS1149D1432J		.WASHER		2
95	BACT16BM100610J		.TEE		1
100	AN924-12D		.NUT		1
105	NAS1149D1790J		.WASHER		2
110	BACT16BN121006J		.TEE		1
115	AS4624K0460SS		.HOSE ASSY		2
120	AS4624G0254SS		.HOSE ASSY		5
125	272T6100-186		DELETED		
125A	AS4626E0114EE		.HOSE ASSY	A	1
-130	272T6100-203		DELETED		
-130A	AS4326E0114EE		.HOSE ASSY	B	1
145	272T6100-191		DELETED		
145A	AS4626E0150SE		.HOSE ASSY	A	1
-150	272T6100-207		DELETED		
-150A	AS4626E0150SE		.HOSE ASSY	B	1
165	AS4626E0200SS		.HOSE ASSY		1
170	AS4626E0224EE		.HOSE ASSY	A	1
-170A	AS4626E0214EE		.HOSE ASSY	C	2
175	AS4624E0320SS		.HOSE ASSY	B	1
-175A	AS4624E0310SS		.HOSE ASSY	D	1
180	272T6100-187		.TUBE ASSY	A,C	1
-185	272T6100-204		.TUBE ASSY	B,D	1
190	272T6100-189		.TUBE ASSY	A,C	1
-195	272T6100-206		.TUBE ASSY	B,D	1
200	272T6100-201		.TUBE ASSY	A,C	1
-205	272T6100-214		.TUBE ASSY	B,D	1
210	272T6100-200		.TUBE ASSY	A,C	1
-215	272T6100-213		.TUBE ASSY	B,D	1

32-11-58

ILLUSTRATED PARTS LIST

01.1

Page 1020

Nov 01/00


BOEING
 COMPONENT
 MAINTENANCE MANUAL

FIG. & ITEM	PART NO.	AIRLINE PART NUMBER	NOMENCLATURE 1234567	EFF CODE	QTY PER ASSY
01-					
220	272T6100-198		.TUBE ASSY	A,C	1
-225	272T6100-212		.TUBE ASSY	B,D	1
230	272T6100-196		.TUBE ASSY	A,C	1
-235	272T6100-211		.TUBE ASSY	B,D	1
240	272T6100-192		.TUBE ASSY	A,C	1
-245	272T6100-208		.TUBE ASSY	B,D	1
250	272T6100-188		.TUBE ASSY	A,C	1
-255	272T6100-205		.TUBE ASSY	B,D	1
260	272T6100-193		.TUBE ASSY	A,C	1
-265	272T6100-209		.TUBE ASSY	B,D	1
270	BACN10YA6		..NUT		2
275	DBOS13BX06H		..SLEEVE- (V14798) (SPEC BACS13BX06H) (OPT 2-02903-06H (V11328)) (OPT 35235V06 (V08199)) (OPT AP2097-06H (V01673)) (OPT AFP175V06 (V30974)) (OPT AP2097H06 (V01673))		2
280	272T6100-194		.TUBE ASSY	A	1
-285	272T6100-210		.TUBE ASSY	B	1
290	BACN10YA10		..NUT		2
295	DBOS13BX10H		..SLEEVE- (V14798) (SPEC BACS13BX10H) (OPT 2-02903-10H (V11328)) (OPT 35235V10 (V08199)) (OPT AP2097-10H (V01673)) (OPT AFP175V10 (V30974)) (OPT AP2097H10 (V01673))		2

32-11-58

ILLUSTRATED PARTS LIST

01.1

Page 1021

Nov 01/00

FIG. & ITEM	PART NO.	AIRLINE PART NUMBER	NOMENCLATURE 1234567	EFF CODE	QTY PER ASSY
01-					
300	AN924-10D		.NUT		3
305	NAS1149D1432J		.WASHER		5
310	BACE21BM1010J		.ELBOW		1
315	2E2174		.SWIVEL ASSY- (V99240) (SPEC S270T204-2)		1
320	AN924-6D		.NUT		13
325	NAS1149D0932J		.WASHER		23
327	BACW10P253S		.WASHER		3
330	BACE21BM0606J		.ELBOW		3
335	2E2172		.SWIVEL ASSY- (V99240) (SPEC S270T204-1)		3
340	AN924-8D		.NUT		2
345	NAS1149D1232J		.WASHER		4
350	BACE21BM0806J		.ELBOW		2
355	270T0015-402		.BLOCK ASSY		1
360	BACS12GU3K30		..SCREW		2
365	NAS1149D0316J		..WASHER		2
370	NAS43DD3-86FC		..SPACER		2
375	H52732-3CD		..NUT- (V15653) (SPEC BACN10YR3CD) (OPT PLH53CD (V62554))		2
380	270T0016-205		..CHANNEL		2
385	270T0014-402		..BLOCK		2
390	272T6119-17		.BRACKET ASSY		1
395	AS115-10K0580		.HOSE ASSY		1
400	AS115-06K0580		.HOSE ASSY		3

32-11-58

ILLUSTRATED PARTS LIST

01.1

Page 1022

Nov 01/00


BOEING
 COMPONENT
 MAINTENANCE MANUAL

FIG. & ITEM	PART NO.	AIRLINE PART NUMBER	NOMENCLATURE 1234567	EFF CODE	QTY PER ASSY
01-405	AS154A06EN0570B		.HOSE ASSY- (V00624) (SPEC BACH8A06EN0570B) (OPT B472-6EN0570B (V98441)) (OPT 97934A06EN0570B (V78570)) (OPT R291206EN0570B (V50599))		2
-410	272T6146-1		.BRACKET ASSY		1
-415	BACR15BA3AD		..RIVET- (SIZE DETERMINE ON INST)		16
-420	BRFM20C3D		..NUTPLATE- (V52828) (SPEC BACN10JN3CD) (OPT 102F9201M3 (V72962)) (OPT NS202487-02 (V80539)) (OPT MF51637-3 (V15653)) (OPT MF53050-3CD (V15653))		8
-425	TA0910004H110		.CLAMP- (V84971) (SPEC BACC10HB10C)		1
-430	TA0910004H106		.CLAMP- (V84971) (SPEC BACC10HB06C)		3

32-11-58

 ILLUSTRATED PARTS LIST
 01.1 Page 1023
 Nov 01/00

FIG. & ITEM	PART NO.	AIRLINE PART NUMBER	NOMENCLATURE 1234567	EFF CODE	QTY PER ASSY
01-					
435	MS21924J10		.UNION		1
440	MS21924J6		.UNION		3
445	272T6100-195		.TUBE ASSY		1
450	BACN10YA10		..NUT		2
455	DBOS13BX10H		..SLEEVE- (V14798) (SPEC BACS13BX10H) (OPT 2-02903-10H (V11328)) (OPT 35235V10 (V08199)) (OPT AP2097-10H (V01673)) (OPT AFP175V10 (V30974)) (OPT AP2097H10 (V01673))		2
460	272T6100-197		.TUBE ASSY		1
465	272T6100-190		.TUBE ASSY		1
470	272T6100-202		.TUBE ASSY		1
475	BACN10YA6		..NUT		2
480	DBOS13BX06H		..SLEEVE- (V14798) (SPEC BACS13BX06H) (OPT 2-02903-06H (V11328)) (OPT 35235V06 (V08199)) (OPT AP2097-06H (V01673)) (OPT AFP175V06 (V30974)) (OPT AP2097H06 (V01673))		2
485	AP1042JN1010		.ELBOW- (V01673) (SPEC BACE21BT1010JN)		1
490	AS115-06K0280		.HOSE ASSY		1
495	AS115-10K0274		.HOSE ASSY		1
500	270T0005-281		.BLOCK ASSY		1
505	NAS1922-02003		..CLAMP		1
510	270T0004-299		..BLOCK		2
515	AS115-06K0214		.HOSE ASSY		2
520	272T6100-199		.TUBE ASSY		2

32-11-58

ILLUSTRATED PARTS LIST

01.1

Page 1024

Nov 01/00


BOEING
 COMPONENT
 MAINTENANCE MANUAL

FIG. & ITEM	PART NO.	AIRLINE PART NUMBER	NOMENCLATURE 1234567	EFF CODE	QTY PER ASSY
01-					
525	312A1104-5		..FITTING		2
530	AS115-06K0430		.TUBE ASSY		2
545	272T6100-215		.TUBE ASSY		1

- Item Not Illustrated

32-11-58

ILLUSTRATED PARTS LIST

01.1

Page 1025

Nov 01/00